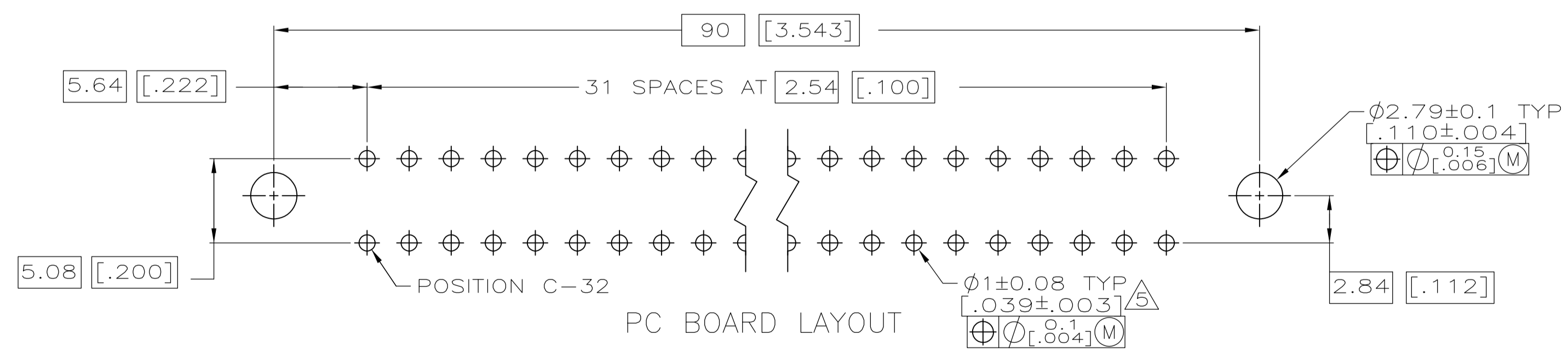
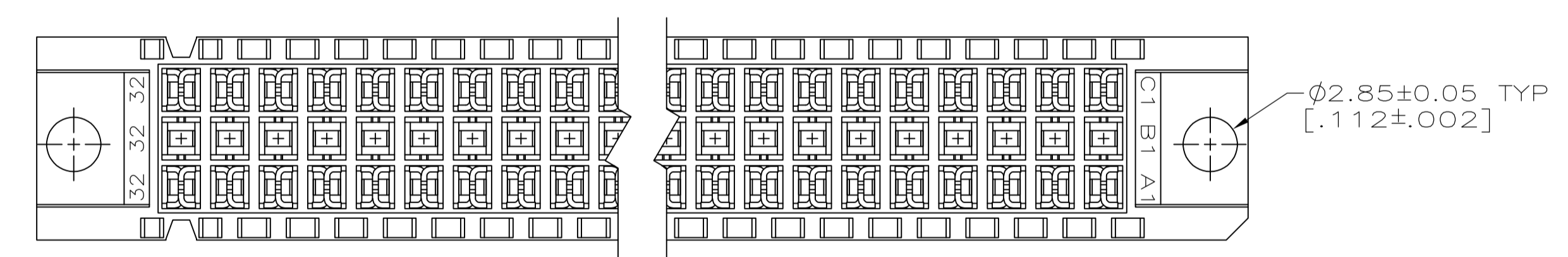
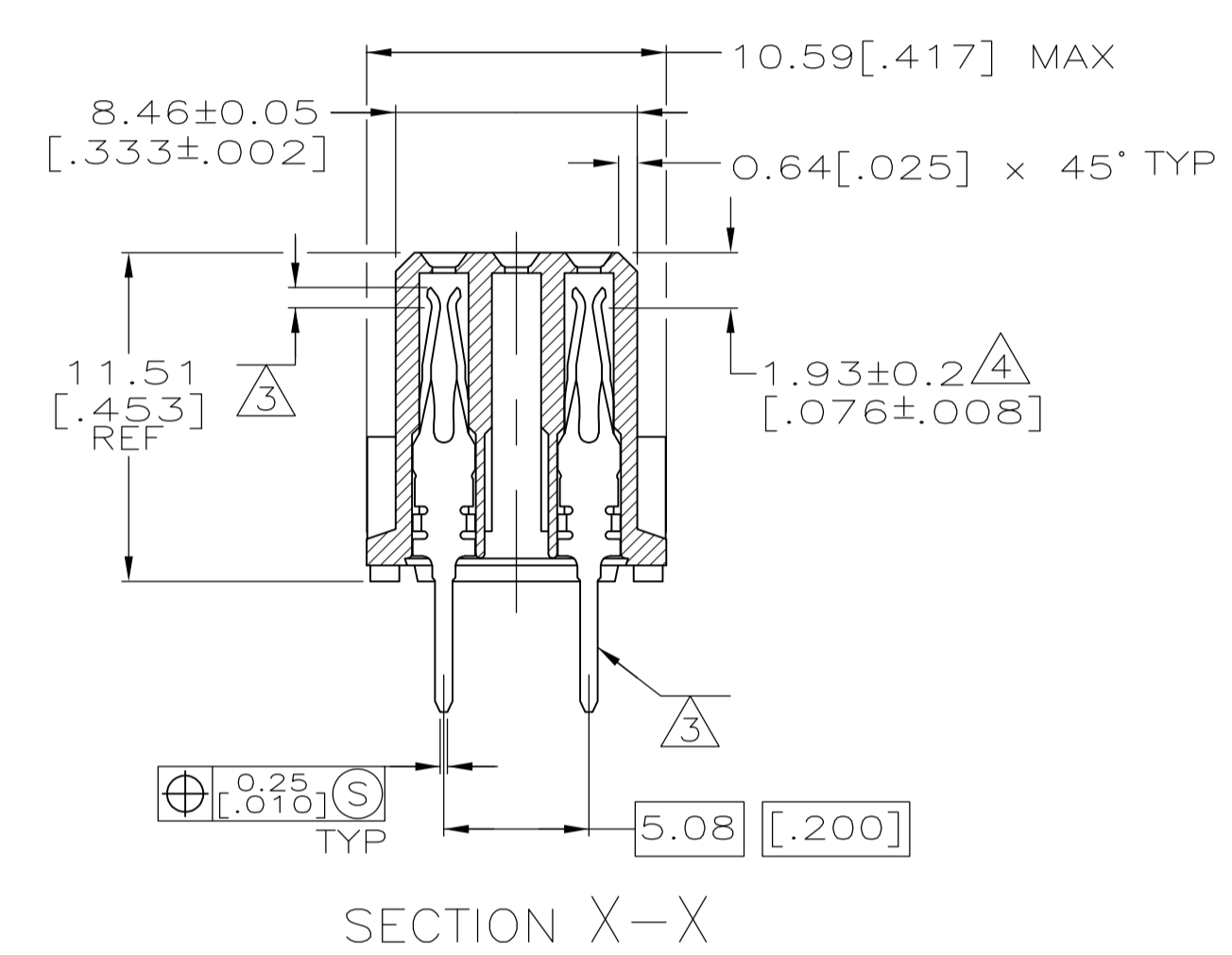
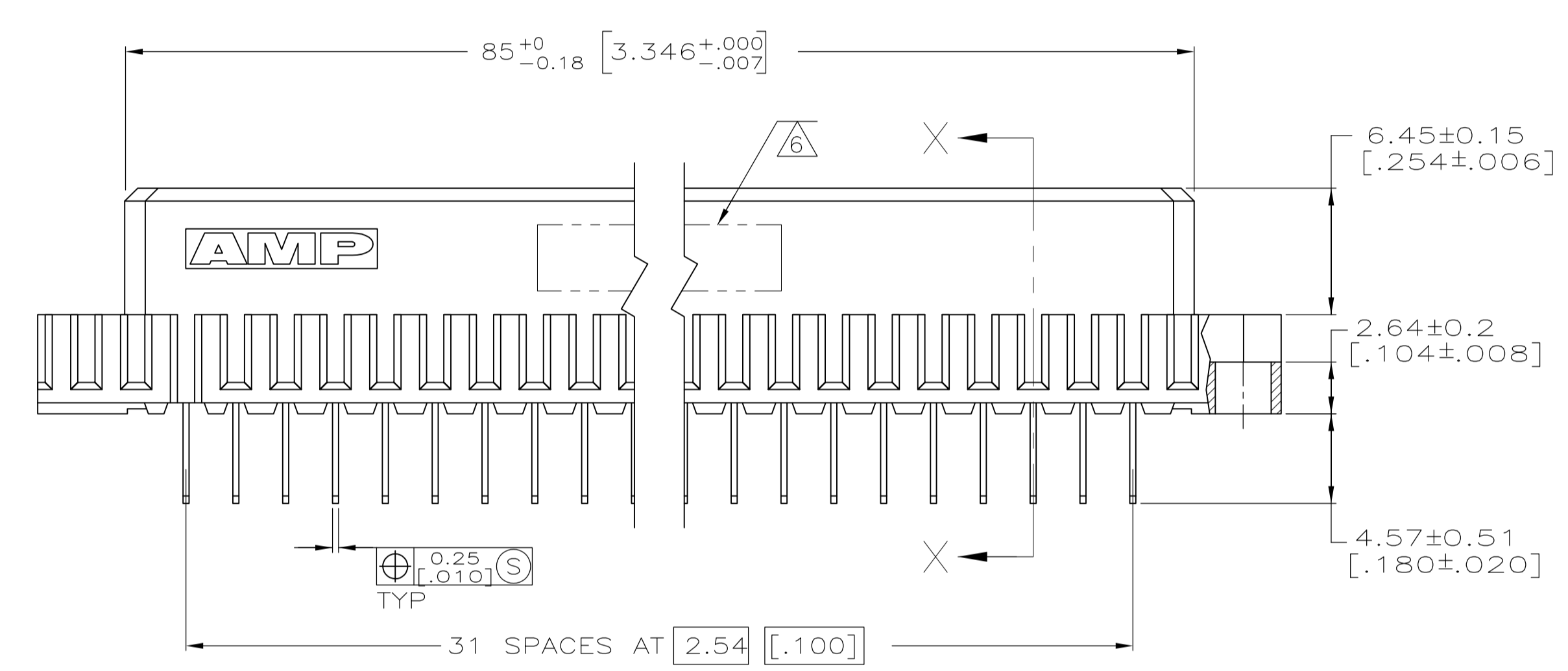
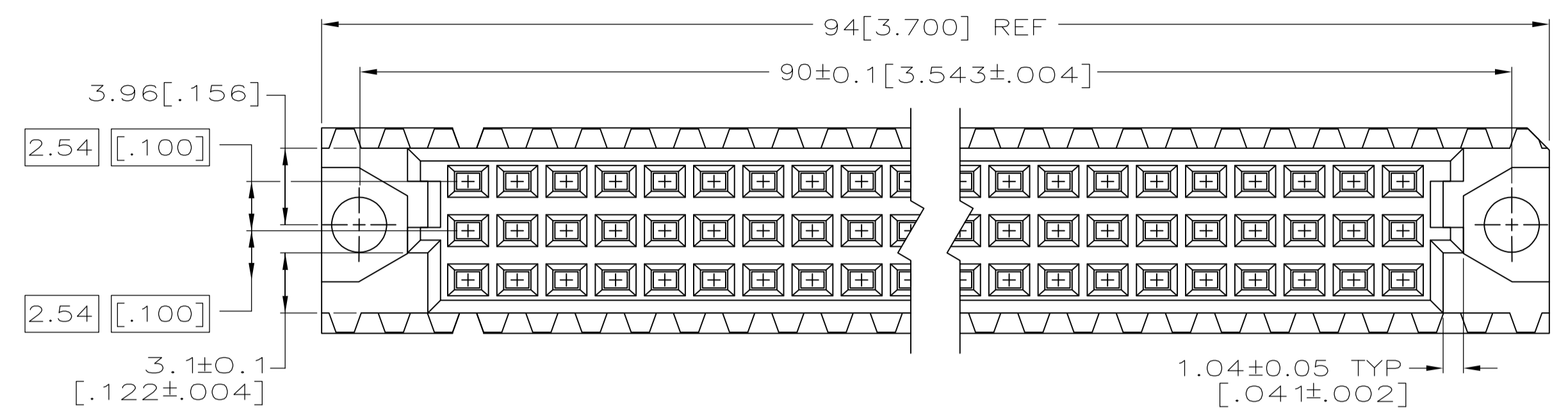


- ① HOUSING MATERIAL: GLASS-FILLED POLYMER.
- ② CONTACT MATERIAL: COPPER ALLOY.
- ③ CONTACT FINISH: DIN 41612 CLASS 2 IN CONTACT AREA. TIN PLATE ON POSTS.
- ④ CONTACT POINT.
- ⑤ RECOMMENDED HOLE SIZE FOR MANUAL APPLICATION OF CONNECTOR ONTO PC BOARD.
- ⑥ PART NUMBER, DATE CODE IDENTIFICATION, CSA LOGO IN THIS APPROXIMATE AREA ON REVERSE SIDE.



③	1 THRU 32	X	-	X	64	5650408-5
③	1 THRU 32	X	-	X	64	5650408-4
FINISH	POSITIONS LOADED	C	B	A	NO. OF LOADED POSITION	ASSY PART NUMBER

THIS DRAWING IS A CONTROLLED DOCUMENT.		DIN J. POLIGNONE 27MAY05	TE Connectivity
DIMENSIONS: mm [INCHES]		CIK A. SHARPE 27MAY05	
TOLERANCES UNLESS OTHERWISE SPECIFIED:		APVD A. SHARPE 27MAY05	NAME ASSEMBLY, RECEPTACLE, EUROCARD, TYPE C, LEAD-FREE, A and C, 64/96 POSITION, 4.57 [0.180] SOLDER POSTS
0 PLC ± -	1 PLC ± -	APPLICATION SPEC	SIZE A1
2 PLC ± 0.13 [0.005]	3 PLC ± -	WEIGHT	CAGE CODE DRAWING NO. 00779 5650408
4 PLC ± -	ANGLES ± -	CUSTOMER DRAWING	SCALE 4:1 SHEET 1 OF 1 REV P